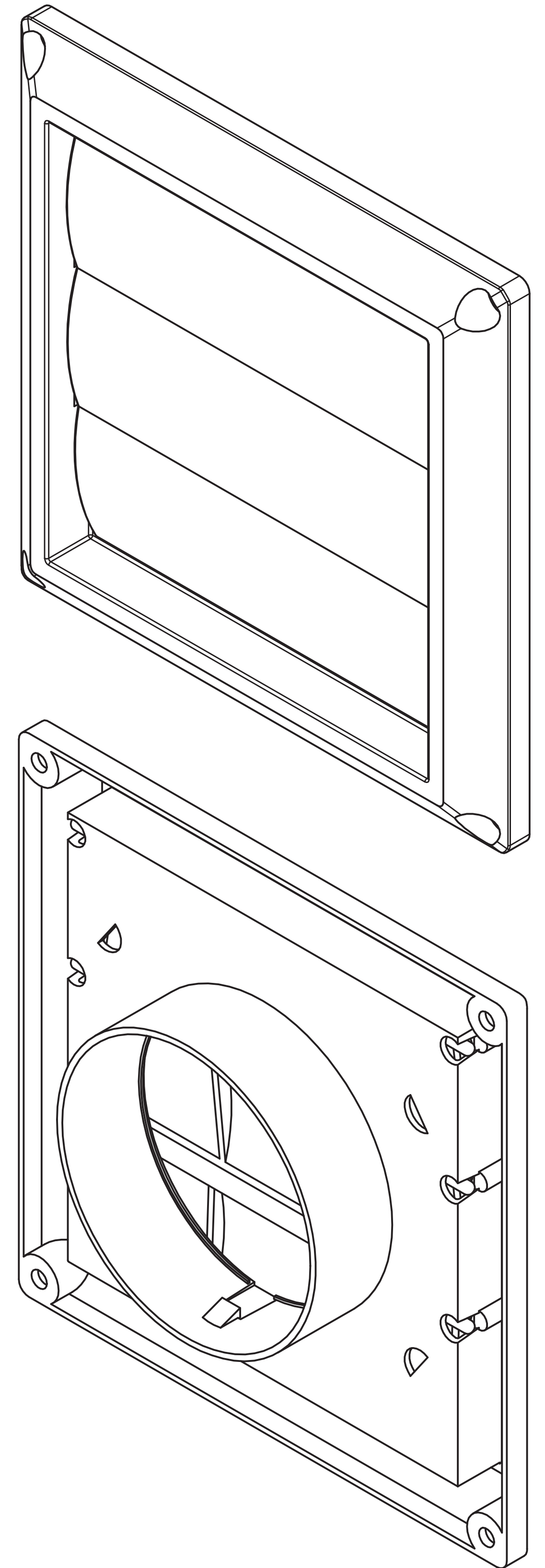

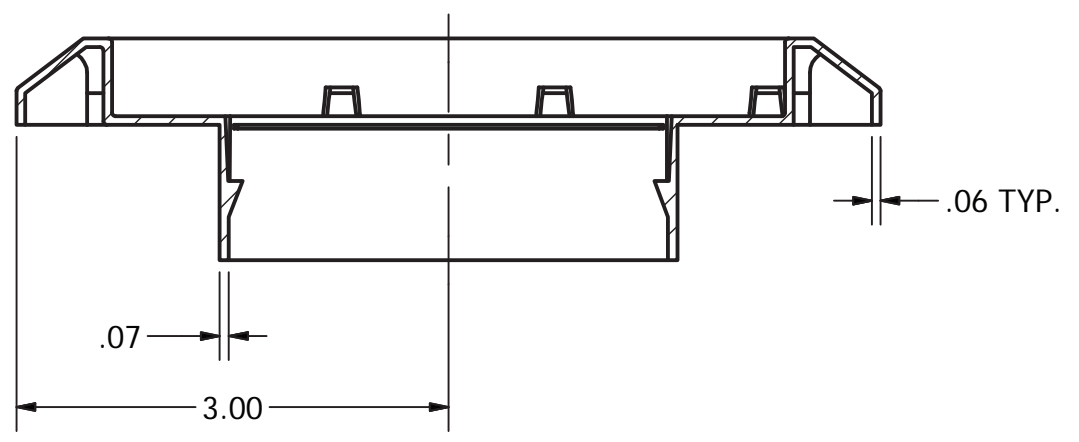
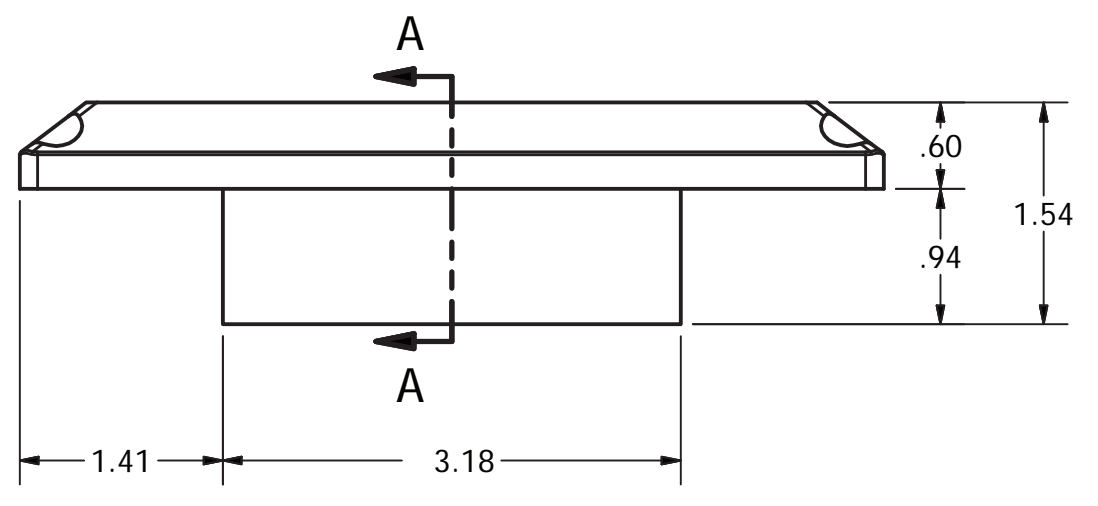
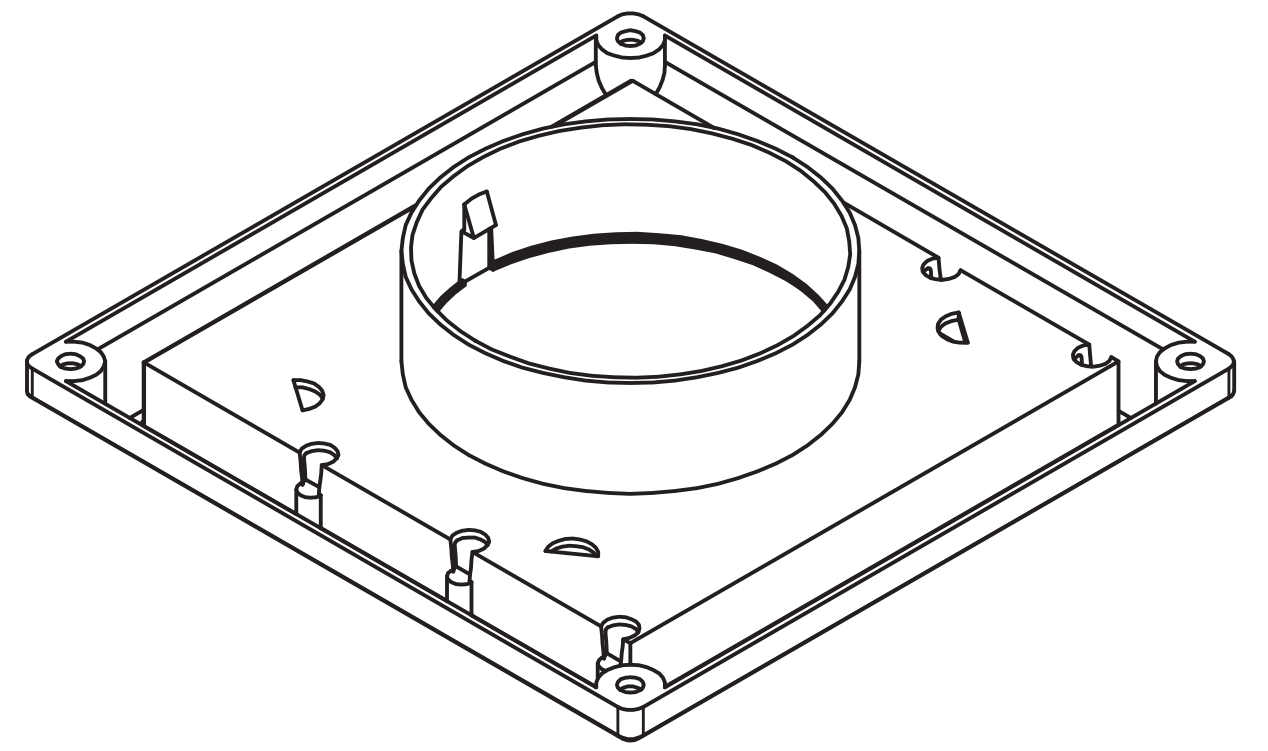
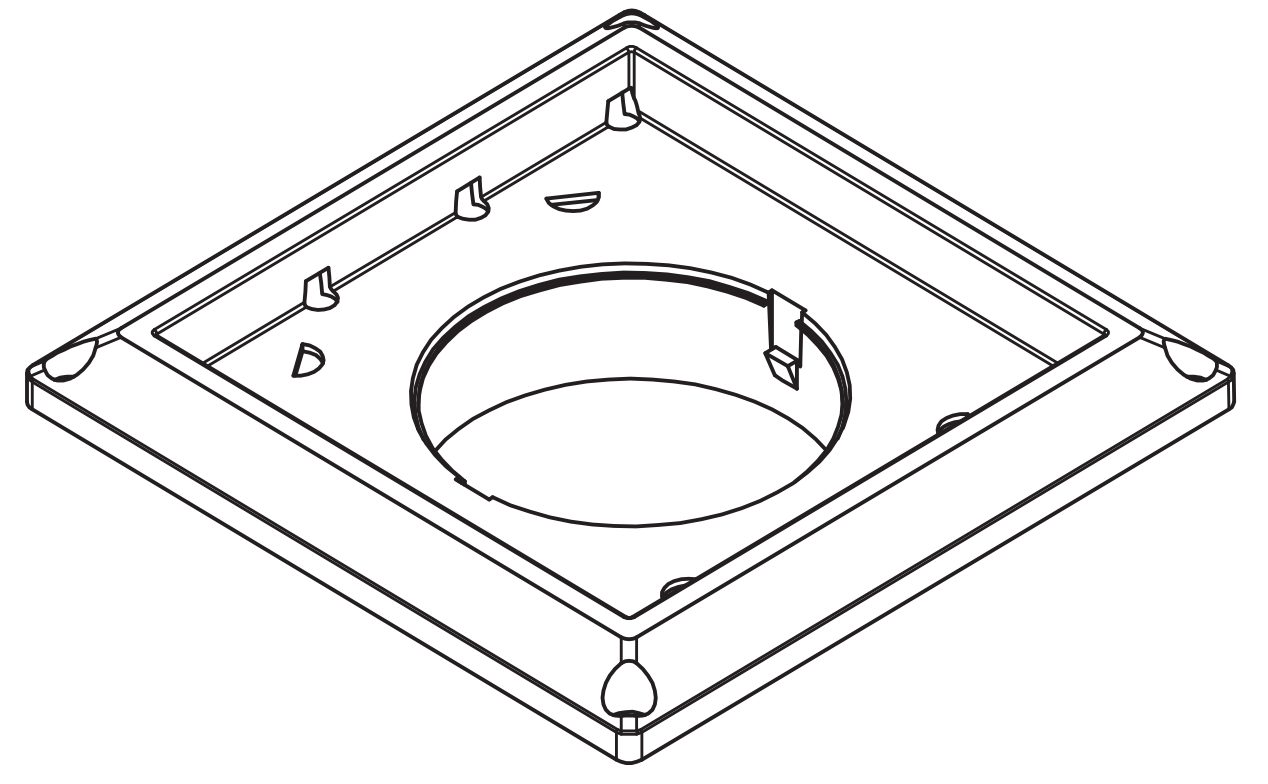
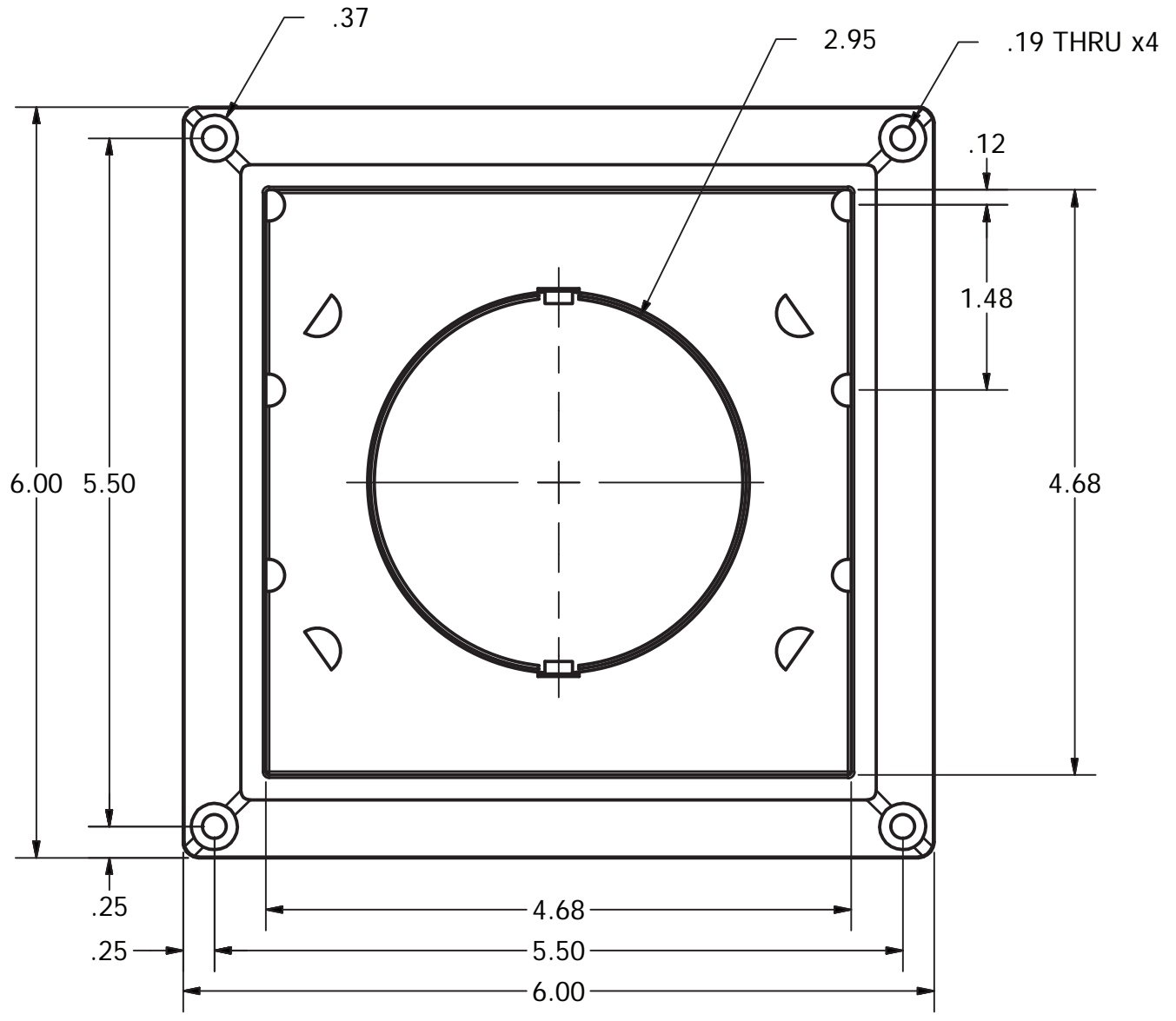


SECTION A-A



DRAWN BY J. VALENTI		2/9/2017		LAMBRO INDUSTRIES, INC.	
					
SIZE D	DWG NO 3-FLAP VENT ASSEMBLY		REV A		NOT TO SCALE
				SHEET 1 OF 1	



SECTION A-A

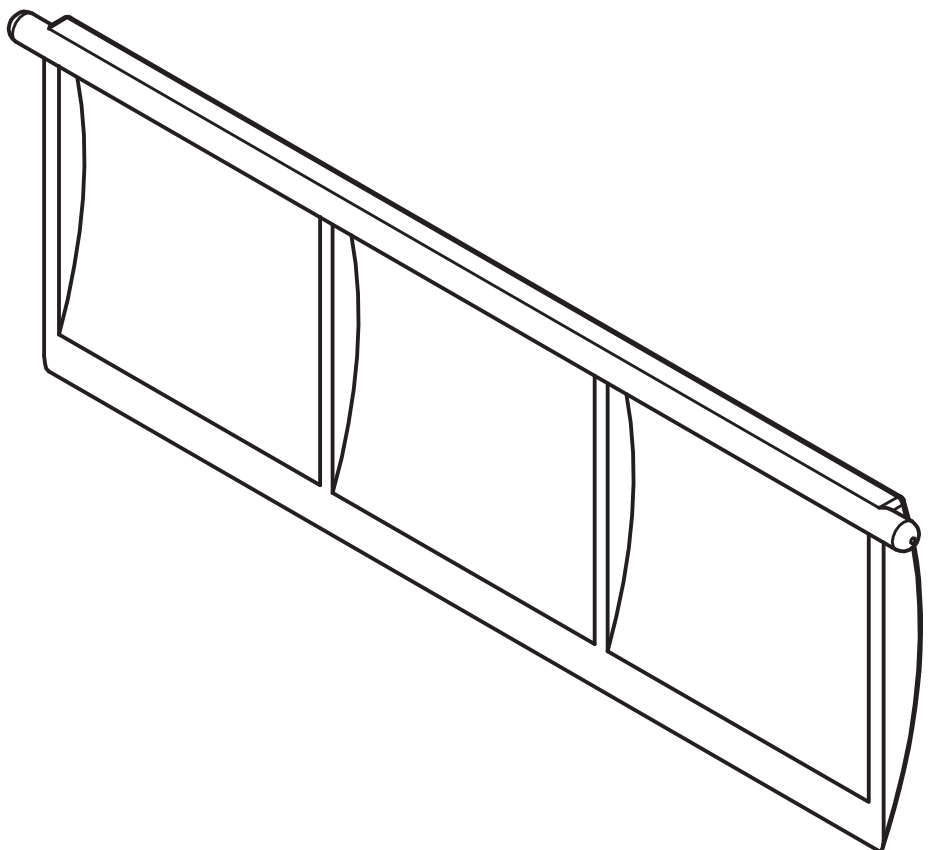
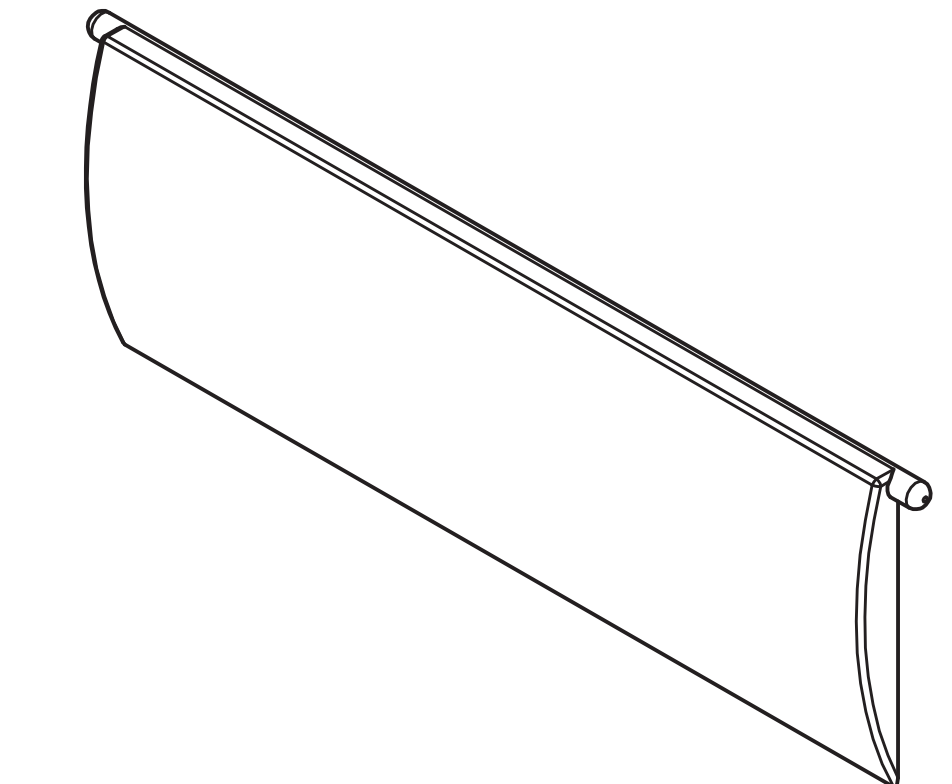
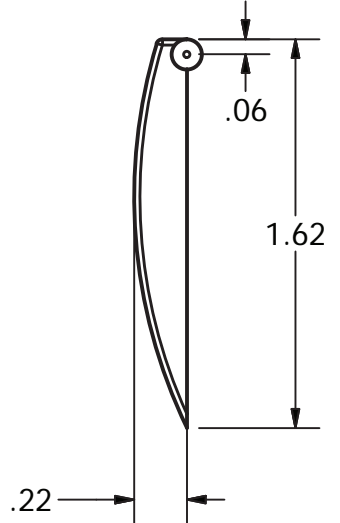
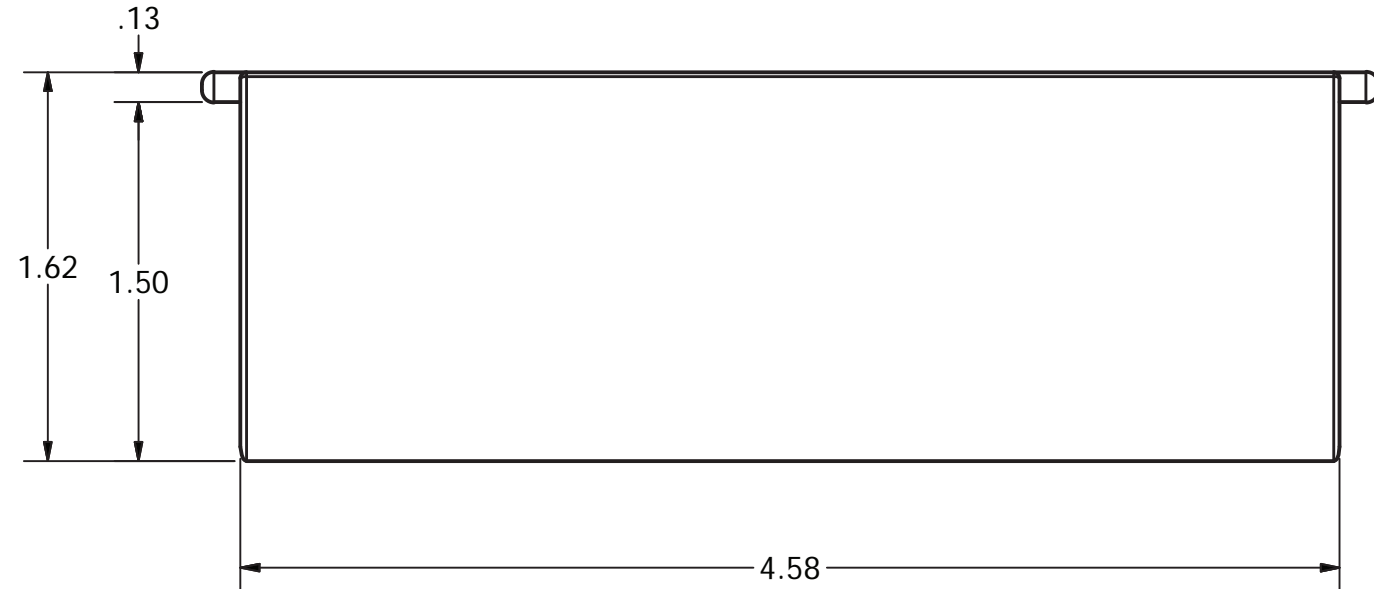
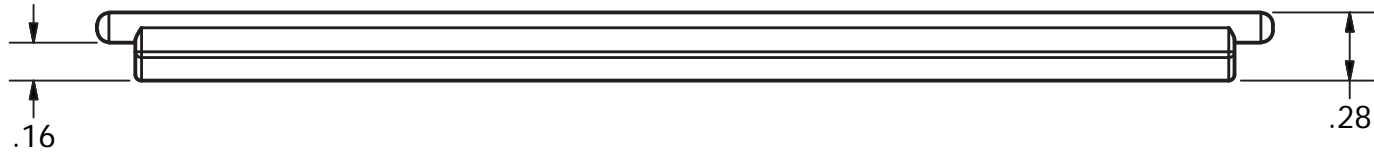
DRAWN BY
J. VALENTI 2/9/2017



LAMBRO INDUSTRIES, INC.

TITLE
3-FLAP WHITE VENT BASE - 3in PORT

SIZE C	DWG NO 3FLAP WHITE VENT BASE	REV A
NOT TO SCALE	SHEET 1 OF 1	



DRAWN BY
J. VALENTI

2/9/2017

LAMBRO INDUSTRIES, INC.



TITLE
3-FLAP VENT FLAP

SIZE
C

DWG NO
3FLAP WHITE VENT FLAP

REV
A

NOT TO SCALE

SHEET 1 OF 1